

ALT-YTVPBV

pump ball valve



ALT-YTVPBV pump ball valve



Application

The Altecnic pump ball valves are the ideal isolation valve, for use with domestic heating pumps and other similar equipment in copper pipe systems.

Valves have a 28mm diameter compression joint and an 1½ inch union joint with flat gasket face for easy connection to the pump.

The ALT-YTVPBV5 has an integral non return valve which is intended for use downstream of the pump, providing protection against back flow and the damage it can cause.

When used as a pair the valves provide isolation, allowing easy and quick removal of the pump should it be required, and eliminate the need for a non return valve for pump protection.

The valve with the non return valve can be used in vertical pipes with the flow in the upwards direction and horizontal pipes whilst the valve without can be used in any orientation.

Design

The pump ball valves are butterfly handle operated through 90°, with bi-directional flow.

Hard chrome plated ball for increased wear resistance.

PTFE body seats for reliable isolation.

Butterfly handle requires minimum space when operating.

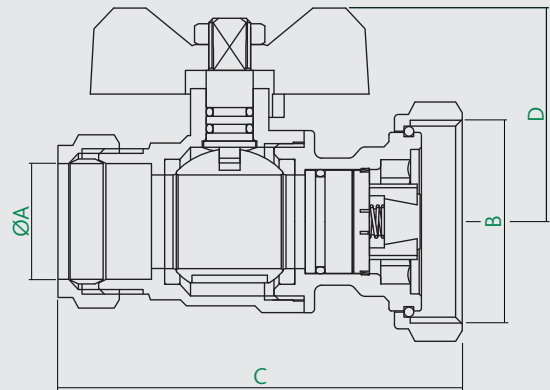
Supplied with a compression end complying with BS EN 1254-2 for use with R250 (half hard) copper tube.

Construction Details

Component	Material	Grade
Body	Brass	BS EN 12165 CW617N
End connection	Brass	BS EN 12165 CW617N
Ball seat	PTFE	
Ball	Brass - chrome plated	BS EN 12164 CW617N
Stem	Brass	BS EN 12164 CW614N
Gland 'O' ring	Nitrile rubber	
Butterfly handle	Aluminium	
Union nut	Brass	BS EN 12165 CW617N
Compression nut	Brass	BS EN 12165 CW617N
Olive	Brass	BS EN 12164 CW614N

Product Code	Connection	Pump Ball Valve
ALT-YTVPBV5	28mm x 1½" f	with non return valve and 1½" sealing washer
ALT-YTVPBV6	28mm x 1½" f	pair (including ALT-YTVPBV5) with 1½" sealing washers

Dimensions

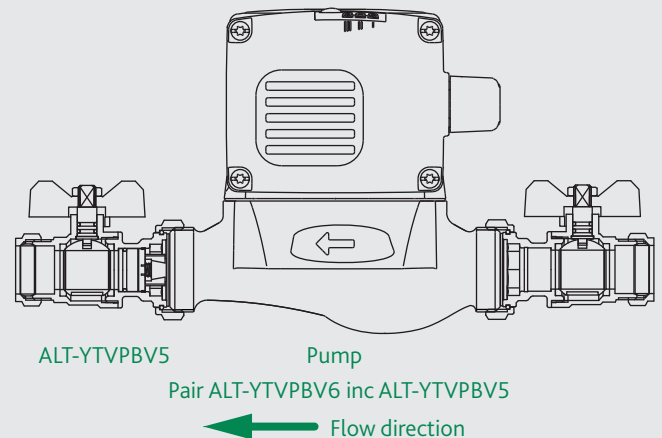


Product Code	A	B	C	D	kg
ALT-YTVPBV6	28	G1½	98	51.5	1.06
ALT-YTVPBV5	28	G1½	98	51.5	0.59

Technical Data

Pressure / Temperature Rating:	BS EN 1254-2
Max. Working Pressure	10 bar
Max. Temperature at 10 bar:	65°C
Max. Temperature at 6.98 bar:	99°C
PED directive classification	Group 2 Liquids SEP

Typical Installation



Altecnic Ltd Mustang Drive, Stafford, Staffordshire ST16 1GW

T: +44 (0)1785 218200 E: sales@altecnic.co.uk

Registered in England No: 2095101

altecnic.co.uk

AL 203 16-04-19

E & O.E

© Altecnic Limited. 2014

ALTECNIC™

altecnic
Caleffi group