

### Contents

1. Factory default settings
2. Specification & wiring
3. Mounting
4. Installation
5. Button / symbol description
6. Resetting the thermostat
7. Boost function
8. Lock function
9. To connect the RFC thermostat to the R\_7-RF programmer
10. To disconnect the RFC thermostat from the R\_7-RF programmer



**Important: Keep this document**

Prior to setting the thermostat, it is necessary to complete all required settings described in this section.



**CAUTION!**

Only qualified electricians or authorised service staff are permitted to open the thermostat.

Ensure that this wireless enabled thermostat is installed 1 metre from any metallic object, television, radio or wireless internet transmitter.

### 1. Factory default settings



Temperature indicator:	°C
Switching differential:	2.5°C
In built frost protection:	5°C
Keypad lock:	Off

### 2. Specifications & wiring

Power Supply:	2 x AAA Alkaline Battery
Power consumption:	50 uA
Battery replacement:	Once per year
Temp. Control Range:	10...90°C
Dimensions:	84 * 84 * 30mm
Temp. sensor:	NTC 10K Ohm @ 25°C - 1.5m probe type
Temp. indication:	°C

### 3a Mounting of temperature sensor

**ON CYLINDER:** To ensure accurate control of your cylinder, the temperature sensor should be mounted on the bottom 1/3 of the cylinder. It is essential that the sensing element is in direct contact with the cylinder and that there is no insulation between it and the cylinder. 60°C is the temperature level required in order to prevent the build up of legionella bacteria. The temperature sensor can be fixed to the cylinder using the provided foil tape.

**ON PIPEWORK:** To ensure accurate control, the temperature sensor should be mounted on the pipework as tightly as possible. It is essential that the sensing element is in direct contact with the pipework and that there is no insulation between it and the pipework. The temperature sensor can be fixed to the pipework using the provided foil tape.

### 3b Mounting of thermostat

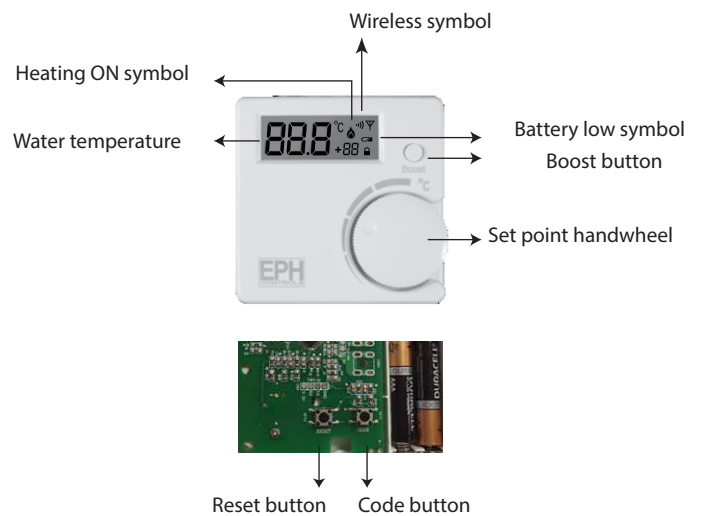
The thermostat should be mounted in a position that will make reading the display convenient.

- The thermostat can be fitted to:
1. Recessed conduit boxes
  2. Surface mounting boxes
  3. Directly on walls

### 4. Installation

- Press the button on the bottom of the thermostat.
- The front housing will detach from the baseplate.
- Insert the batteries (provided) into the thermostat.
- Mount the unit as described in section 3. Ensure the cable sensor is connected to terminals Con 3 and Con 4.
- Offer the baseplate up to the thermostat. Snap it into position to close.

### 5. Button / symbol description



### 6. Resetting the thermostat

- Press the button on the bottom of the thermostat, the front housing will detach from the baseplate.
- Insert the batteries into the thermostat.
- Press the reset button on the PCB, 'NO' will flash on the screen.
- Rotate the hand wheel clockwise until 'YES' appears on the screen.
- Press the hand wheel once to confirm the setting.
- The thermostat has now been reset and the current temperature will appear on the screen.

### 7. Boost function

- Press the boost button once, twice or three times to boost the heating for 1, 2 or 3 hours respectively. +1H, +2H or +3H will appear on the screen.
- The boost function will override the programmer if the programmer is timed to be Off.


### 8. Lock function

- To lock the thermostat, press the hand wheel for 10 seconds. The keypad symbol will appear on the screen.
- To unlock the thermostat, press the hand wheel for 10 seconds. The keypad symbol will disappear from the screen.


### 9. To connect the RF thermostat with the programmer

Lower the cover on the front of the timeswitch / programmer. Move the selector switch to the **RUN** position.



On the timeswitch / programmer, press the  button for 5 seconds. Wireless Connect will appear on the screen.

On the RFR wireless room thermostat or RFC wireless cylinder thermostat, press the **Code** button. This is located inside the housing on the Printed Circuit Board.

On the timeswitch / programmer, the available zones will begin to flash. Press the  button for the zone you wish to connect the thermostat to.

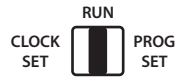
The wireless symbol  appears on the screen.


The thermostat will count upwards to the number of the zone that it is paired with. When it reaches the number of the zone that it is paired with press the hand wheel on the thermostat.

The timeswitch / programmer is now operating in the wireless mode. The temperature of the wireless thermostat is now displayed on the programmer. Repeat this process for the second, third and fourth zone if required.

### 10. To disconnect the RF thermostat with the programmer

Lower the cover on the front of the timeswitch / programmer. Move the selector switch to the **RUN** position.




On the timeswitch/ programmer, press the  button for 5 seconds.

This will take you into the Wireless Connect screen.

Press the  button for 3 seconds.

This will clear all RF connections thereby disconnecting all thermostats from the timeswitch / programmer.

Press the  button.